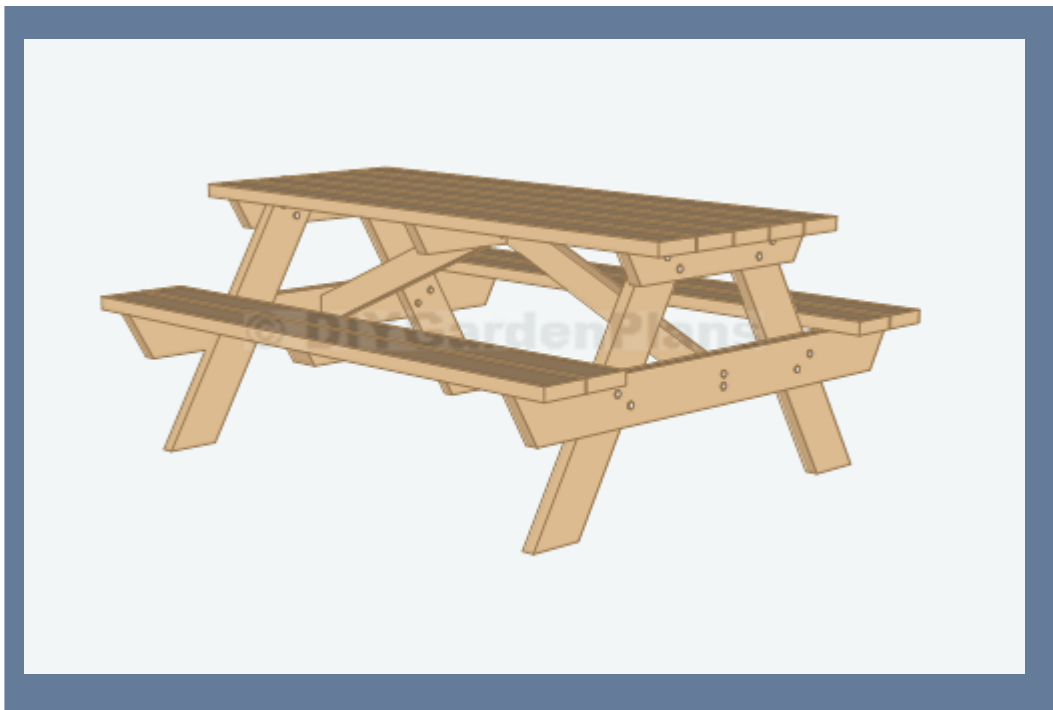


Picnic Table

Picnic Table Guide

Easy-to-Build with Step-by-Step Illustrations



Legal

The contents of this guide may not be sold, modified or distributed in anyway without the expressed written consent of the publisher. Reprinting, copying, or any form of distribution for commercial or non-commercial purposes is strictly prohibited and will be prosecuted.

Disclaimer

Every attempt has been made to provide the most accurate information as possible. However, the publisher accepts no liability for any wrong information as result of purchasing and/or reading this guide.

You can follow this guide at your own risk, the publisher accepts no responsibility for any injury to any person.

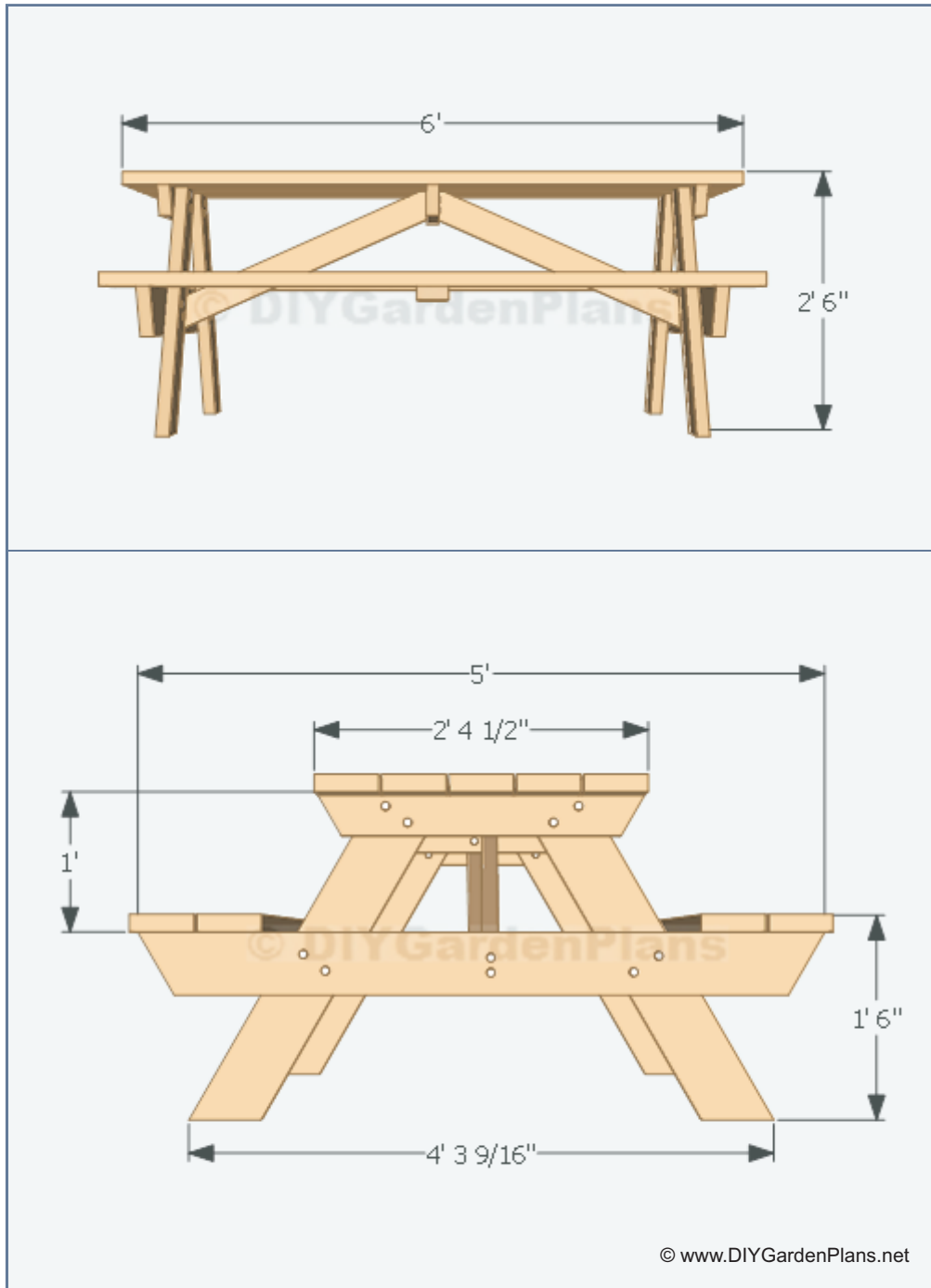
Copyright © www.DIYGardenPlans.net

All rights reserved

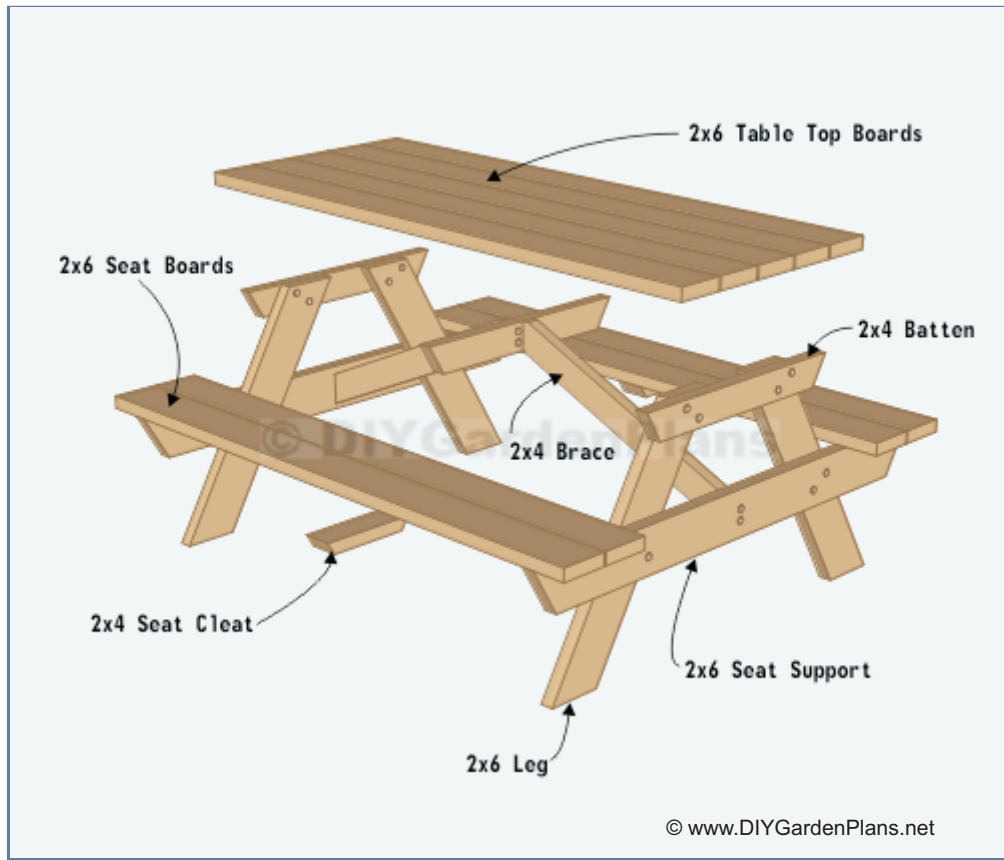
ISBN-13:

ISBN-10:

Dimensions

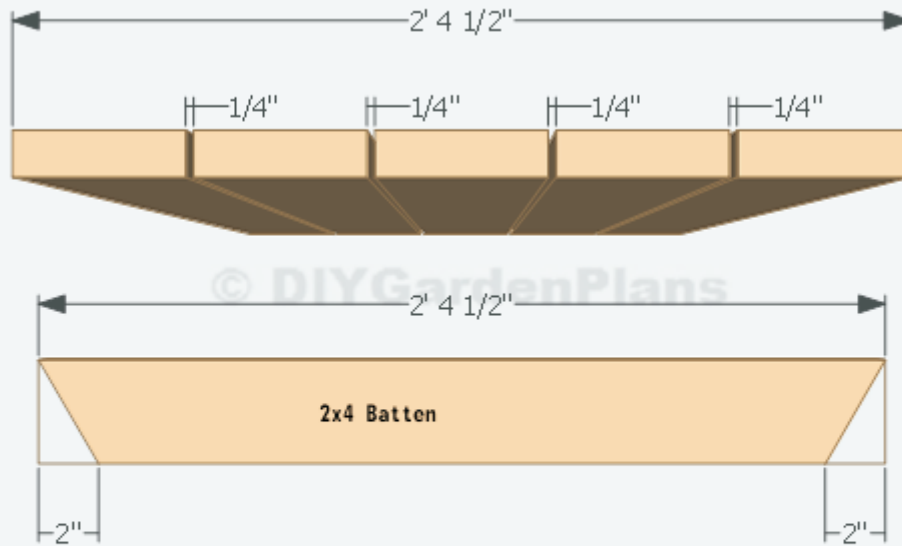


Material / Cut List



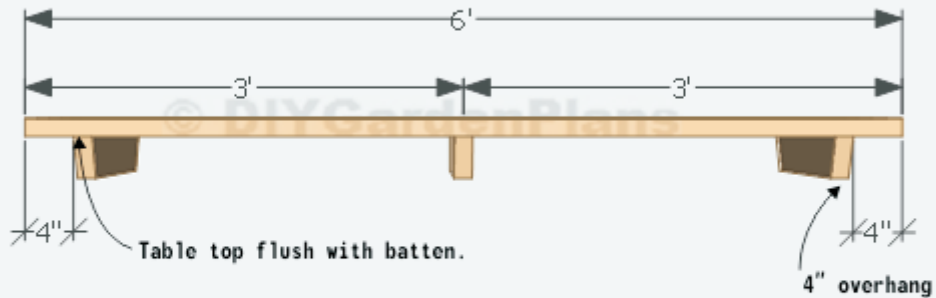
| Disc. | Qty. | Size |
|--------------------|------|------------|
| table top (2x6) | 5 | 6' |
| batten (2x4) | 3 | 2' 4 1/2" |
| leg (2x6) | 4 | 3' |
| seat support (2x6) | 2 | 5' |
| brace | 2 | 2' 10 1/8" |
| seat (2x6) | 4 | 6' |
| cleat (2x4) | 2 | 11 1/4" |

Picnic Table Guide



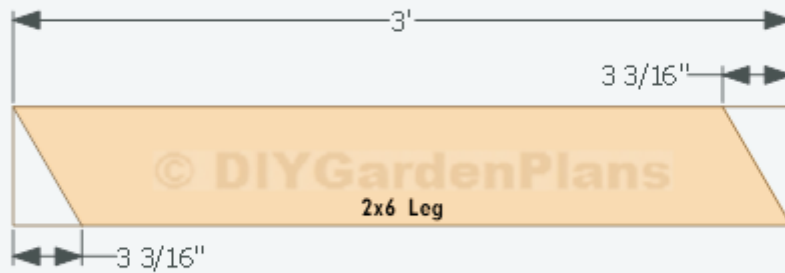
Cut 3 2x4s to 2' 4 1/2" for the batten. Cut 2" from both ends as shown.

Cut 5 2x6 to 6' for the table top. The table top will be gapped 1/4".



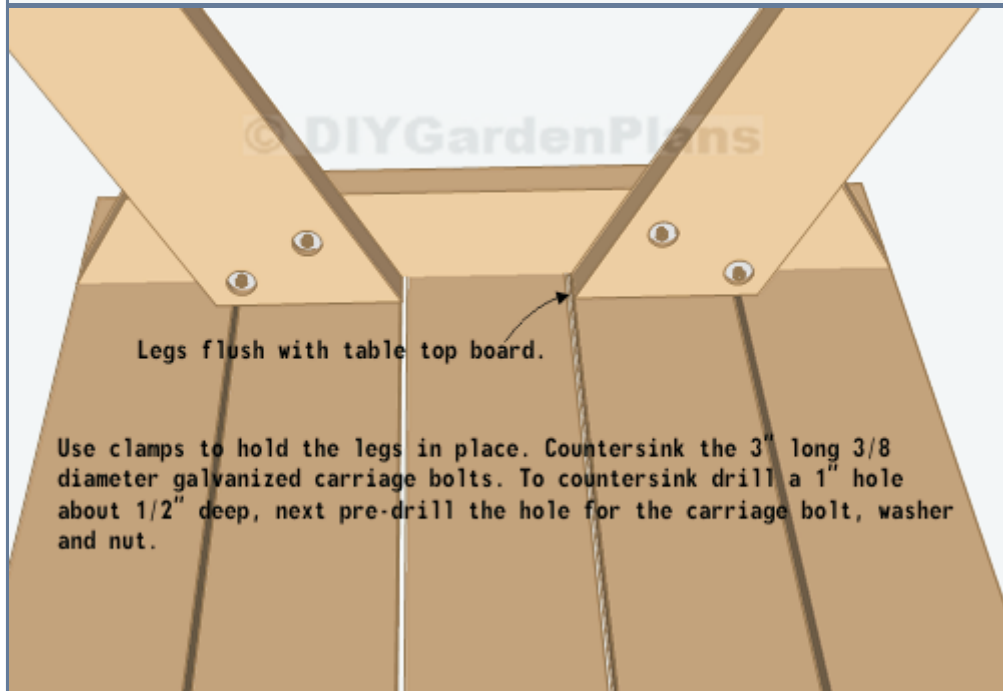
Screw 2 1/2" deck screws through the table top and into the batten.

Picnic Table Guide



Cut 4 2x6s to 3' for the legs. Cut 30° angles as shown above.

© www.DIYGardenPlans.net



Picnic Table Guide

Cut 2 2x6s to 5' for the seat support.
Cut 30° angle cuts to both ends as shown.

1' 4 1/2"

2x6 Seat Support

Hold seat support in place with clamps. Countersink and pre-drill the holes for the 3" long 3/8" diameter carriage bolt, washer and nut.

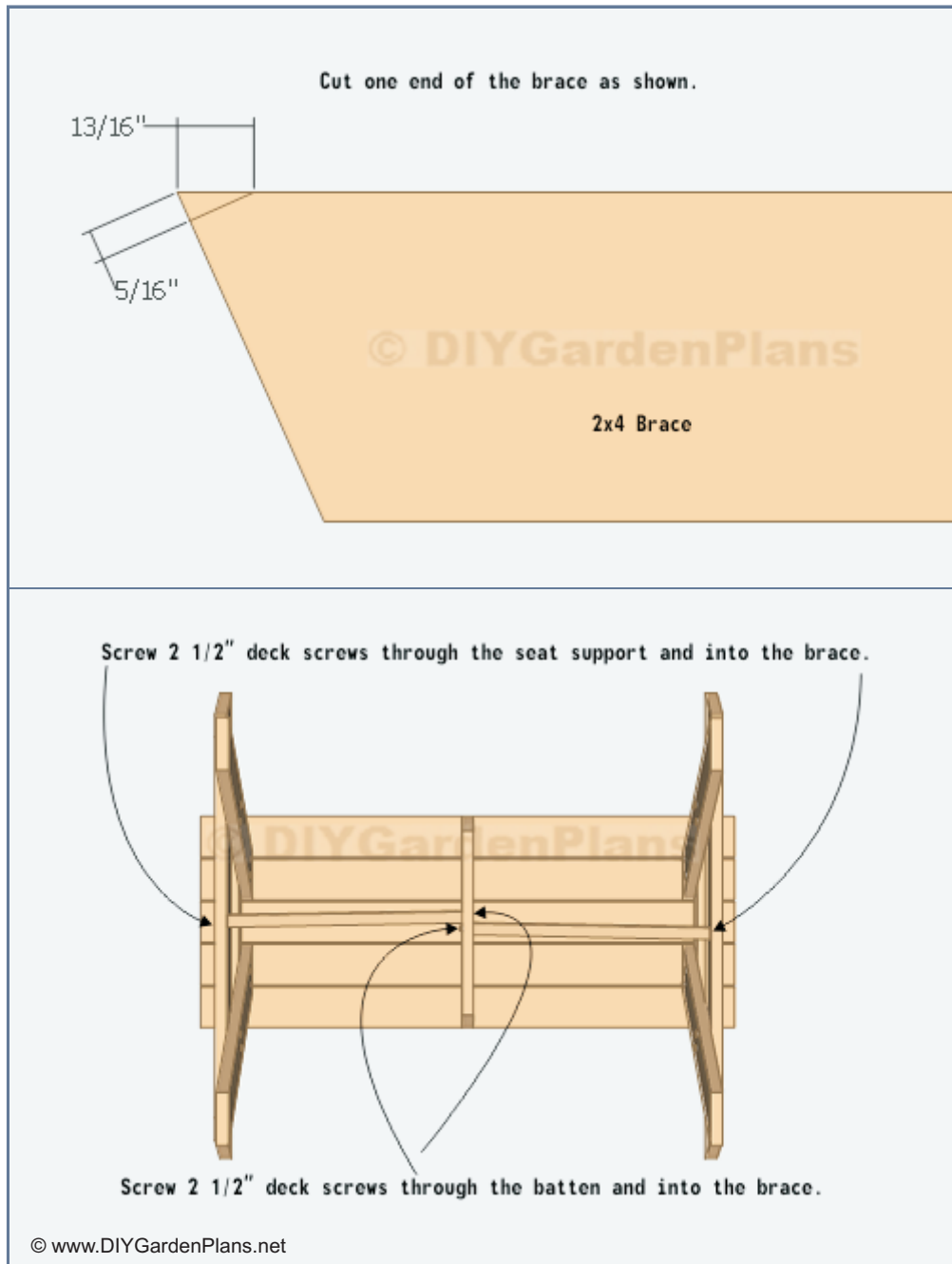
2x4 Brace

2' 10 1/8"

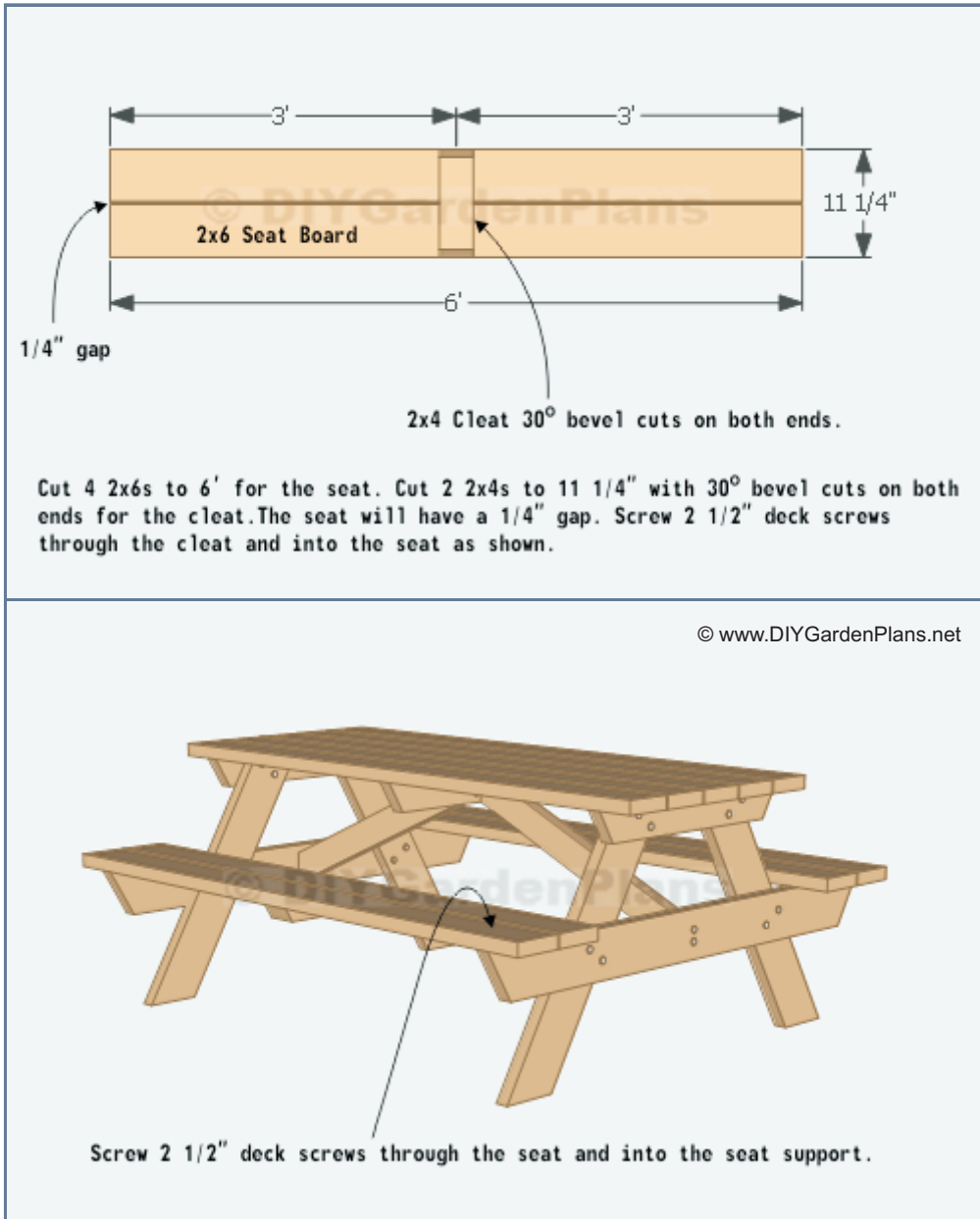
Cut 2 2x4s to 2' 10 1/8" for the brace. Cut 24° angle cuts on both ends as shown.

© www.DIYGardenPlans.net

Picnic Table Guide



Picnic Table Guide



Material/Shopping List

Since lumber can be purchased in different sizes the shopping list will vary. Study the cut list on page 4 and make changes to the shopping list if needed.

| Disc. | Qty. | Size |
|--|------|------|
| table top (2x6) | 2 | 12' |
| table top (2x6) | 1 | 8' |
| batten (2x4) | 1 | 8' |
| leg (2x6) | 1 | 12' |
| seat support (2x6) | 1 | 10' |
| seat (2x6) | 2 | 12' |
| brace, cleat (2x4) | 1 | 8' |
| HARDWARE | | |
| 3" long 3/8" diameter carriage bolt, nut, washer | 16 | |
| 2 1/2" deck screws | | |

